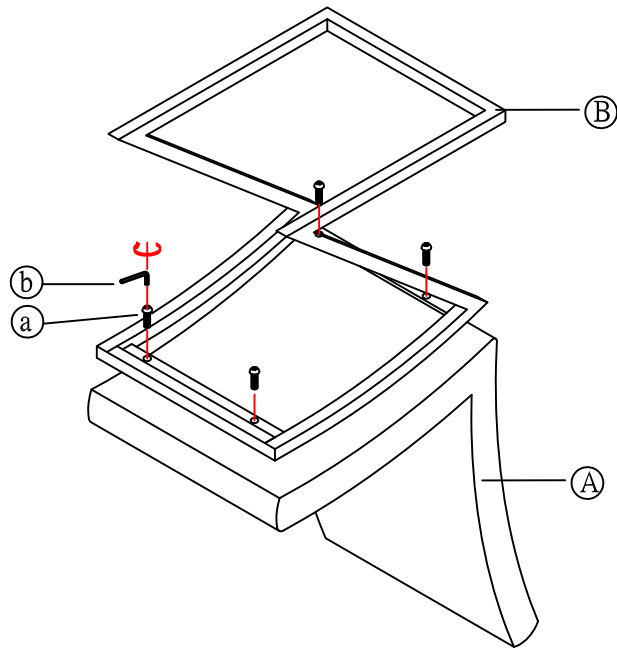
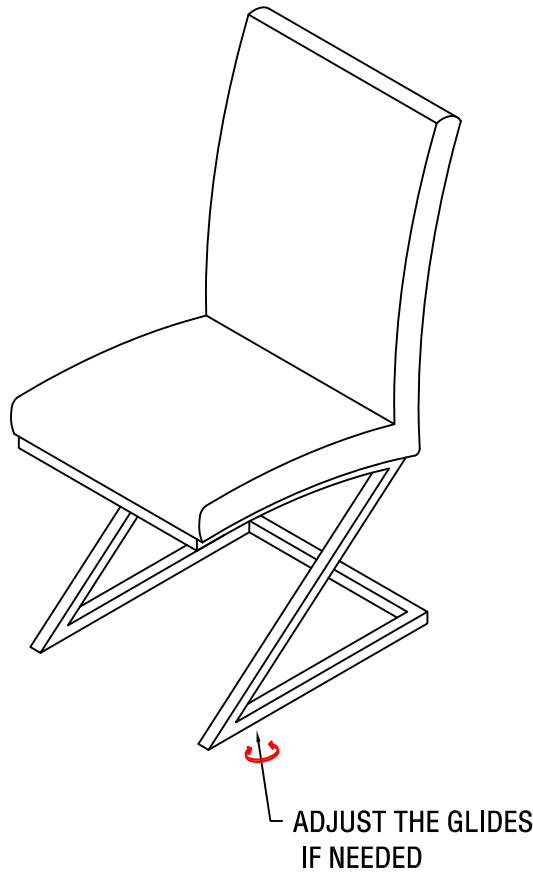




Step 1



FINISH



PARTS LIST:

NO	DESCRIPTION	SKETCH	QTY
A	SEAT		1PC
B	BASE		1PC

HARDWARE LIST:

NO	DESCRIPTION	SKETCH	QTY
a	BOLT		4PCS
b	ALLEN KEY		1PC